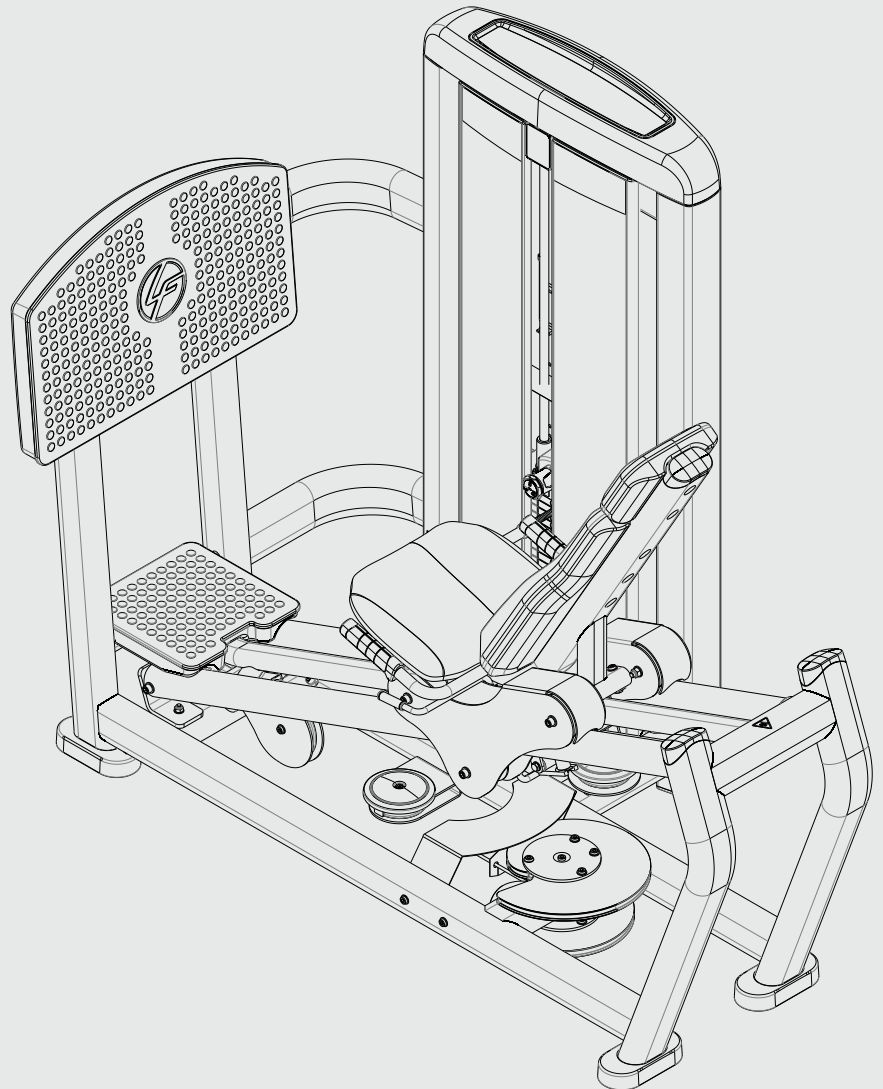


INSIGNIA SERIES  
SEATED LEG PRESS  
SS-SLP  
PARTS MANUAL



# Insignia Series Seated Leg Press

## Contents

---

Options and Key .....	3
Powder Coat Painted Frame Weldments .....	4
Component Assembly .....	5
Carriage Components .....	6
Labels .....	7
Table .....	8
Lower Cam Assembly .....	9
Seat Adjustment Assembly .....	10
Seat Handle Assembly .....	11
Tower Plastics .....	12
Shroud Wraps .....	13
Weight Stack Assemblies .....	14
T Trim Head Plate and Drop Down Increment Weights .....	15
C and X Trim Stack Components .....	16
C and X Trim Head Plate Assemblies .....	17
X and X Trim Incremental Weights .....	18
Grip Assemblies .....	19
Sensor Assemblies .....	20

# Insignia Series Seated Leg Press

## Options and Key

**FRAME OPTION**

SELECT POWDERCOAT COLOR

- WHITE
- PLATINUM
- BLACK
- MIDNIGHT METALLIC
- NICKEL
- ICE BLUE METALLIC
- RED
- BLUE
- YELLOW
- CANDY APPLE RED
- ELECTRIC BLUE
- CHARCOAL
- MOCHA SAND
- TITANIUM
- DIAMOND WHITE
- CUSTOM

**UPHOLSTERY OPTION**

SINGLE STITCH



DOUBLE STITCH



SELECT UPHOLSTERY COLOR

- BLACK
- ROYAL BLUE
- SLATE
- CRANBERRY
- NORTHWOODS GREEN
- SPACE BLUE
- AMERICAN BEAUTY RED
- SUEDE
- HUNTER GREEN
- REGIMENTAL BLUE
- CONCORD
- TURQUOISE
- CROCUS
- AZURE
- WHEAT
- GRAPHITE
- GROTTO
- JADE
- EMERALD
- CANDLY APPLE RED
- BURGUNDY
- PLUM
- NAVY
- IMPERIAL BLUE
- CHESTNUT
- PAPRIKA
- TERRA COTTA
- DOVE GRAY
- PUTTY
- GUN METAL
- CUSTOM

**LANGUAGE OPTION**

SELECT LANGUAGE

- 01 ENGLISH
- 02 GERMAN
- 03 FRENCH
- 04 SPANISH
- 05 ITALIAN
- 06 DUTCH
- 07 JAPANESE
- 08 PORTUGUESE
- 10 RUSSIAN
- 11 TURKISH
- 12 CHINESE
- 13 ARABIC

**WEIGHT STACK OPTION**

- T - BASE STACK
- C - LIGHT STACK
- X - HEAVY STACK

- POUNDS
- KILOGRAMS

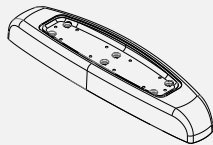

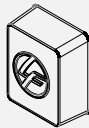
**SHROUD WRAP OPTION**

- FULL SHROUD
- BAMBOO
- SKY
- BRONZE
- STEM
- ROSEWOOD
- STAINLESS STEEL

**TRIM OPTION**

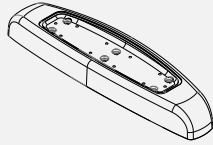

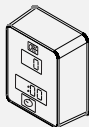
S

PLASTIC TOWER CAP  
STANDARD GRIP  
NO REP COUNTER

L

PAINTED CAST TOWER CAP  
ERGO GRIP  
REP COUNTER

### KEY

LANGUAGE ① ② ③

Items with Black call-outs require the last two digits (XX) to be replaced with language codes listed above. IE: 12345XX should be 1234501 for English.

UPHOLSTERY ① ② ③

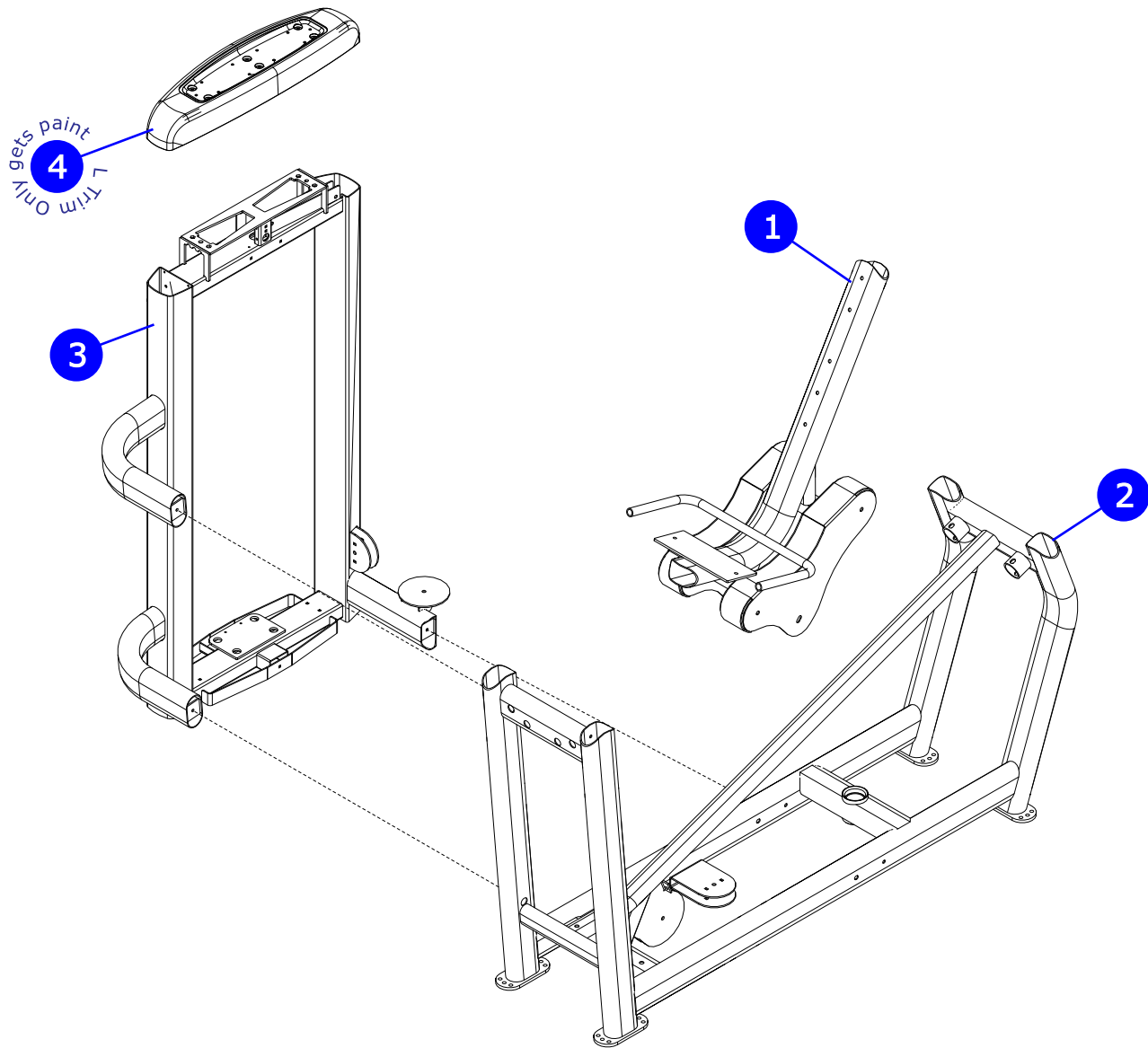
Items with Gray call-outs require the upholstery color within the order notes. IE: Putty.

FRAME COLOR ① ② ③

Items with Blue call-outs require the powder coat frame color to be within the order notes.

# Insignia Series Seated Leg Press

## Powder Coat Painted Frame Weldments



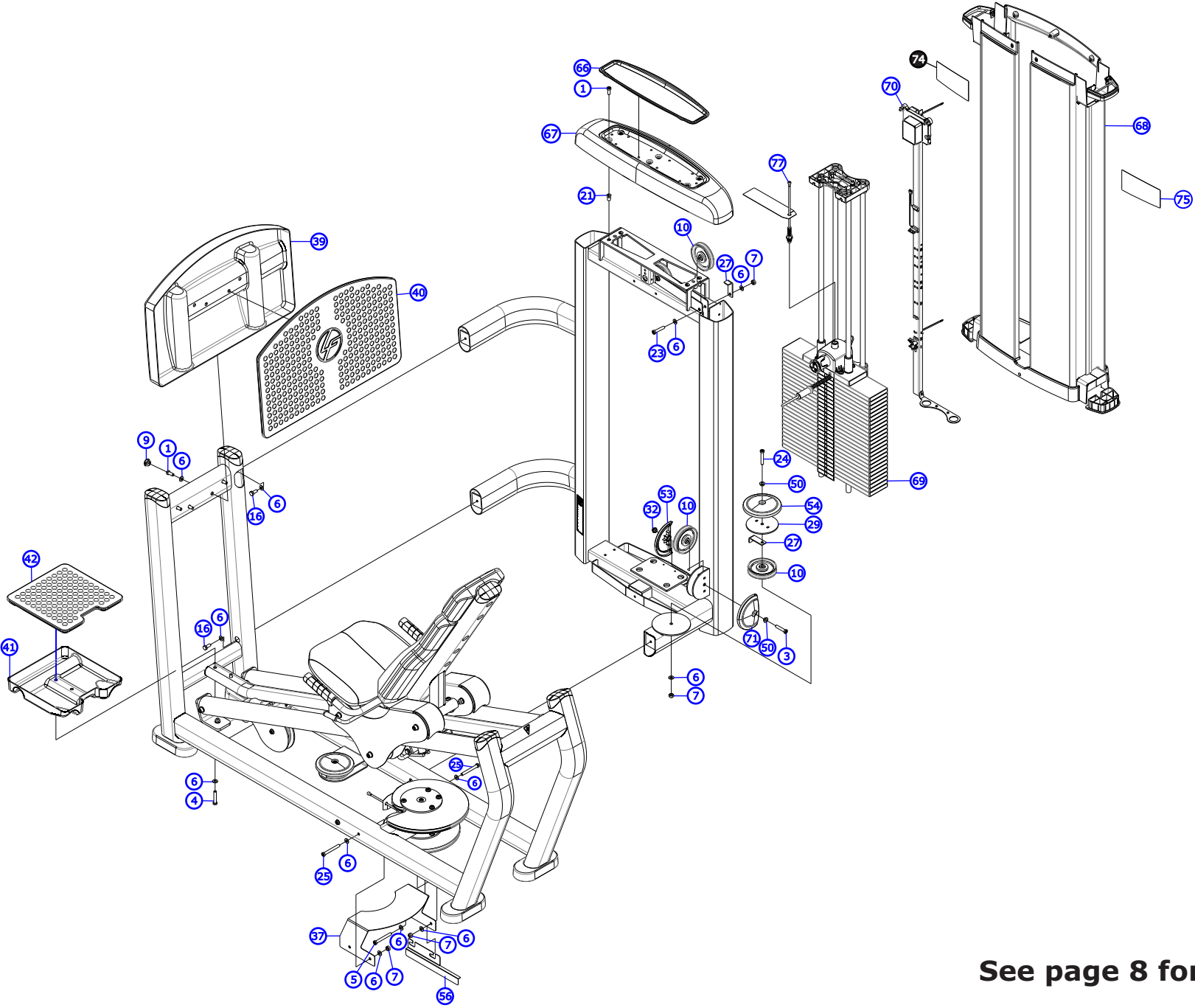
ITEM NO.	QTY.	PART NO.	DESCRIPTION	TRIM LEVEL	
1	1	7408199	WLDMT, FZSLP-SEAT	S	L
2	1	POSSIBLE RMA	WLDMT, SS-SLP FRAME	S	L
3	1	POSSIBLE RMA	WLDMT, SS-SLP HIGH TOWER	S	L
4	1	9412699	CAP, SS, CAST	-	L

**ITEMS ON THIS PAGE ARE POWDER COAT PAINTED. REFER TO PAGE 3 FOR ORDERING INSTRUCTIONS.**



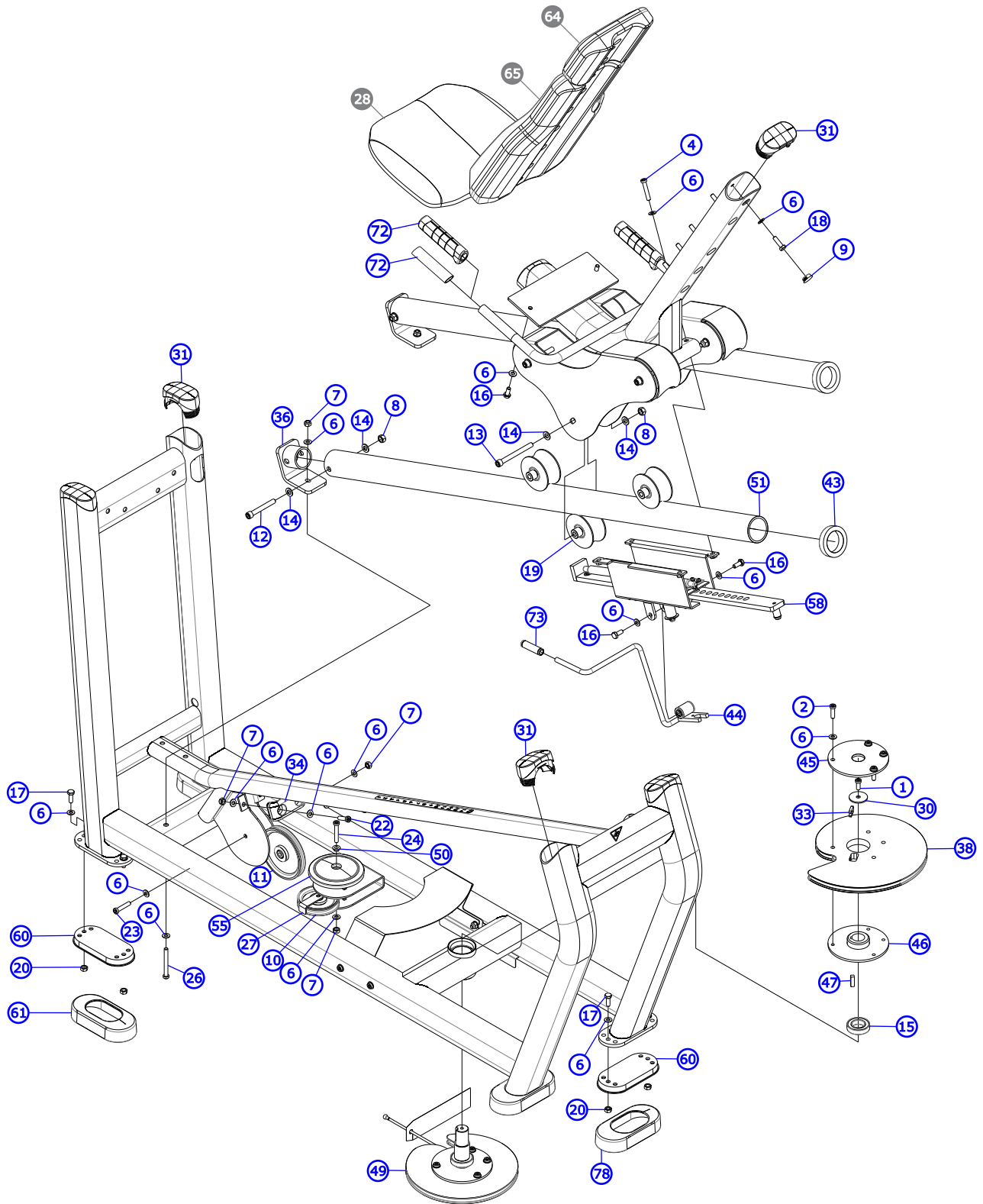
# Insignia Series Seated Leg Press

## Component Assembly



See page 8 for table

# Insignia Series Seated Leg Press Carriage Components

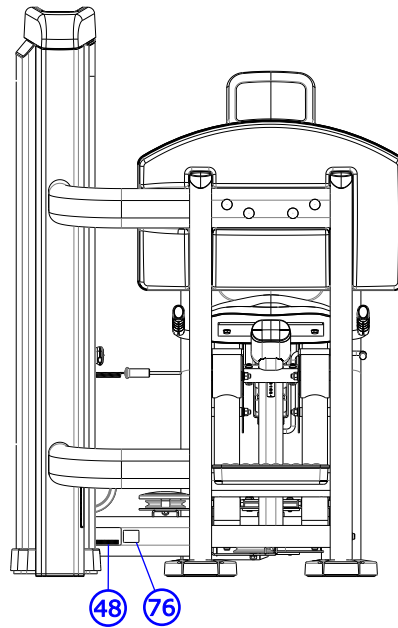
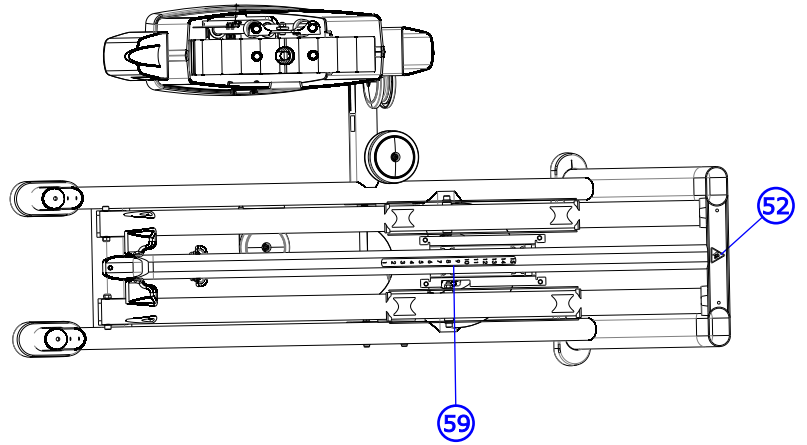
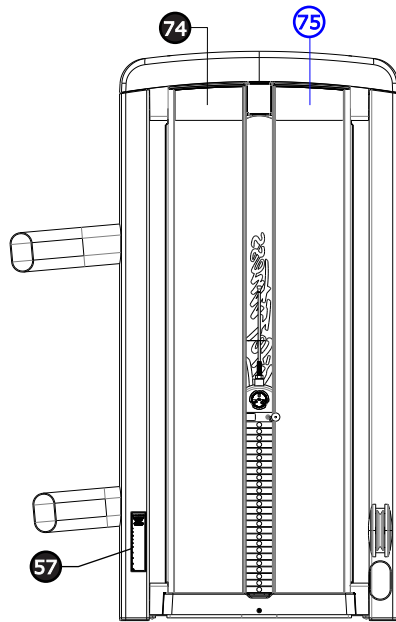


See page 8 for table

# Insignia Series Seated Leg Press

## Labels

---



**See page 8 for table**

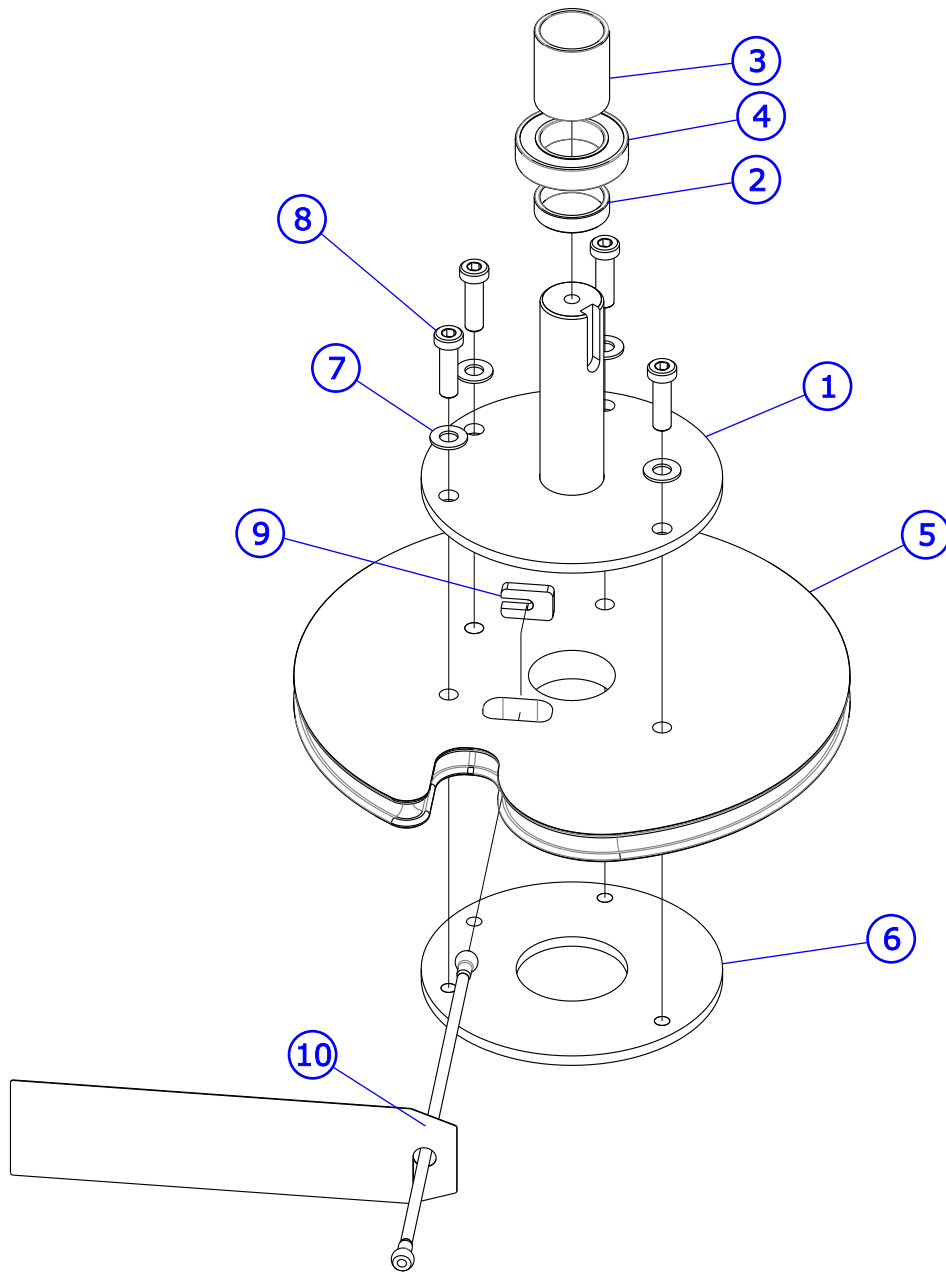
# Insignia Series Seated Leg Press Table

ITEM NO.	QTY.	PART NO.	DESCRIPTION	TRIM LEVEL	
1	9	8236202	SCREW, M10 X1.5 25MM	S	L
2	4	8236204	SCREW, M10 X1.5 35MM	S	L
3	1	8236207	SCREW, M10 X1.5 50MM	S	L
4	6	8236208	SCREW, M10 X1.5 55MM	S	L
5	1	8236214	SCREW, M10 X1.5 85MM	S	L
6	56	8236601	WASHER, 3/8 SAE SS	S	L
7	12	8236801	NUT, M10 HEX NYLOCK SS	S	L
8	8	8236803	NUT, M12 HEX NYLOCK SS	S	L
9	9	8237407	PLUG, 1" HOLE	S	L
10	5	8237802	PULLEY, 4.5" OD	S	L
11	1	8239601	PULLEY, 6" OD x 10MM ID	S	L
12	2	3241315	SCREW, M12 X1.75 90MM	S	L
13	6	8241320	SCREW, M12 X1.75 120MM	S	L
14	16	8241401	WASHER, FLAT 12MM SS	S	L
15	1	8243201	BEARING, 6007 BALL	S	L
16	6	8251202	SCREW, M10 X1.5 X 25MM UNS HEX CS ST ZN	S	L
17	8	8251203	SCREW, M10 X1.5 X 30MM UNS HEX CS ST ZN	S	L
18	5	8251204	SCREW, M10 X1.5 X 35MM UNS HEX CS ST ZN	S	L
19	6	8251502	ROLLER ASSY	S	L
20	8	8254703	NUT, M10 X 1.5 HEX ZINC	S	L
21	4	8275401	M10X1.5 BLIND THREADED INSERT (HEX) -HVY	S	L
22	2	3275504	SCREW, M10 X 1.5 X 35 SHCS, LOW HEAD -NO PATCH	S	L
23	3	3275507	SCREW, M10 X 1.5 X 50 SHCS, LOW HEAD -NO PATCH	S	L
24	2	3275509	SCREW, M10 X 1.5 X 60 SHCS, LOW HEAD -NO PATCH	S	L
25	3	3275514	SCREW, M10 X 1.5 X 85 SHCS, LOW HEAD -NO PATCH	S	L
26	2	3275515	SCREW, M10 X 1.5 X 90 SHCS, LOW HEAD -NO PATCH	S	L
27	4	6757701	CLIP, CABLE 2-7/8 X 1 X 1	S	L
28	1	8237201	PAD, LARGE CHAIR BLK, SNGL STITCH	S	L
		1000000-0099	PAD, LARGE CHAIR CUS, SNGL STITCH	S	L
		8237201101	PAD, LARGE CHAIR BLK, DBL STITCH	S	L
		1000000-0199	PAD, LARGE CHAIR CUS, DBL STITCH	S	L
29	1	7318201	PLATE, PULLEY	S	L
30	1	8722528	PLATE, SPL STEEL COVER - CHR	S	L
31	6	7333902	CAP, LARGE FLOV- END	S	L
32	1	7335401	NUT, M10 X 1.5 SOCKET HEAD	S	L
33	1	7342201	PLATE, CABLE END	S	L
34	1	7352002	BUMPER, 2-1/8 X 4-5/8	S	L
36	2	7408828	WLDMT, SS-SLP RAIL BRKT -CHR	S	L
37	1	7409828	SHIELD, SS-SLP CAM -CHR	S	L
38	1	7414502	CAM, FZ/PS-SLP OBLONG	S	L
39	1	7429502	COVER,FZSLP-FT. PLATE	S	L
40	1	7429602	FOOT PLATE, OVERMOLDED	S	L
41	1	7438202	COVER,FZSLP-STEP	S	L
42	1	7438302	STEP PLATE,FZSLP- OVERMOLDED	S	L
43	2	7444602	BUMBER, DONUT	S	L
44	1	SEE PAGE 11	ASSY, SS-SLP SEAT HANDLE -CHR	S	L
45	1	7511228	PLATE, SS-SLP TORQUE -CHR	S	L
46	1	7511328	WLDMT, SS-SLP HUB -CHR	S	L
47	1	7511601	KEY, .375 SQUARE X 1.25	S	L
48	1	-	LABEL, SERIAL NUMBER, BLANK	S	L
49	1	SEE PAGE 9	ASSY, SS-SLP RND CAM -CHR	S	L
50	3	7630101	RETAINER, CM/MJ, PULLEY	S	L
51	2	7961101	TUBE, RAIL	S	L
52	1	8099501	LABEL, WARNING, TRIANGLE	S	L
53	1	8094102	COVER, PULLEY-BOLTED PARTIAL -CHGR	S	L
54	1	8102902	COVER, PULLEY-BOLTED FULL	S	L
55	1	8104502	COVER, PULLEY-BOLTED NOTCHED	S	L
56	1	8161128	BRKT, SS-SLP CABLE RETAINER -CHR	S	L
57	1	8220099	LABEL, ASTM WARNING SELECT	S	L
58	1	SEE PAGE 10	ASSY, SS-SLP SEAT ADJ -CHR	S	L
59	1	9132602	LABEL, 1-15 STRAIGHT	S	L
60	4	9319301	FOOT, 2.50 X 4.49 FLOV	S	L
61	2	9319401	COVER, FOOT - STRAIGHT	S	L
64	1	1000017-0001	PAD, HEAD REST BLK, SNGL STITCH	S	L
		1000017-0099	PAD, HEAD REST CUS, SNGL STITCH	S	L
		8237201101	PAD, HEAD REST BLK, DBL STITCH	S	L
		1000017-0199	PAD, HEAD REST CUS, DBL STITCH	S	L
65	1	8237201101	PAD, LARGE BACK BLK, SNGL STITCH	S	L
		1000018-0099	PAD, LARGE BACK CUS, SNGL STITCH	S	L
		8237201101	PAD, LARGE BACK BLK, DBL STITCH	S	L
65	1	1000018-0199	PAD, LARGE BACK CUS, DBL STITCH	S	L
66	1	9411201	TRAY, TOWER TOP CAP	S	L
67	1	9412601	CAP, TOWER -TOP (PAINTED)	-	S
		9436701	CAP, TOWER, TOP, PLASTIC (NON-PAINTED)	S	-
68	1	SEE PAGE 12	ASSY, SS TOWER PLASTICS	S	L
69	1	SEE PAGE 14	ASSY, SS-SLP, WGT STK, DIAL, HVY -25	S	L
70	1	SEE PAGE 19	ASSY, SS, COUNTER -TLL	S	L
71	1	9450002	COVER, PULLEY-BOLTED PARTIAL	S	L
72	2	SEE PAGE 19	ASSY, ERGO GRIP	-	S
		SEE PAGE 19	ASSY, STD GRIP - 6.5 x 1.25 OD	S	-
73	1	9461503	HANDLE, REMOTE	S	L
74	1	9466099	LABEL, SS-SLP PLACARD, LH	S	L
75	1	9477601	LABEL, SS-SLP PLACARD, RH	S	L
76	1	9488901	LABEL, INSIGNIA, FCC	S	L
77	1	SEE PAGE 14	CABLE, SS-SLP-1 -DIAL	S	L
78	2	9461401	COVER, FOOT - 20 deg	S	L

# Insignia Series Seated Leg Press

## Lower Cam Assembly

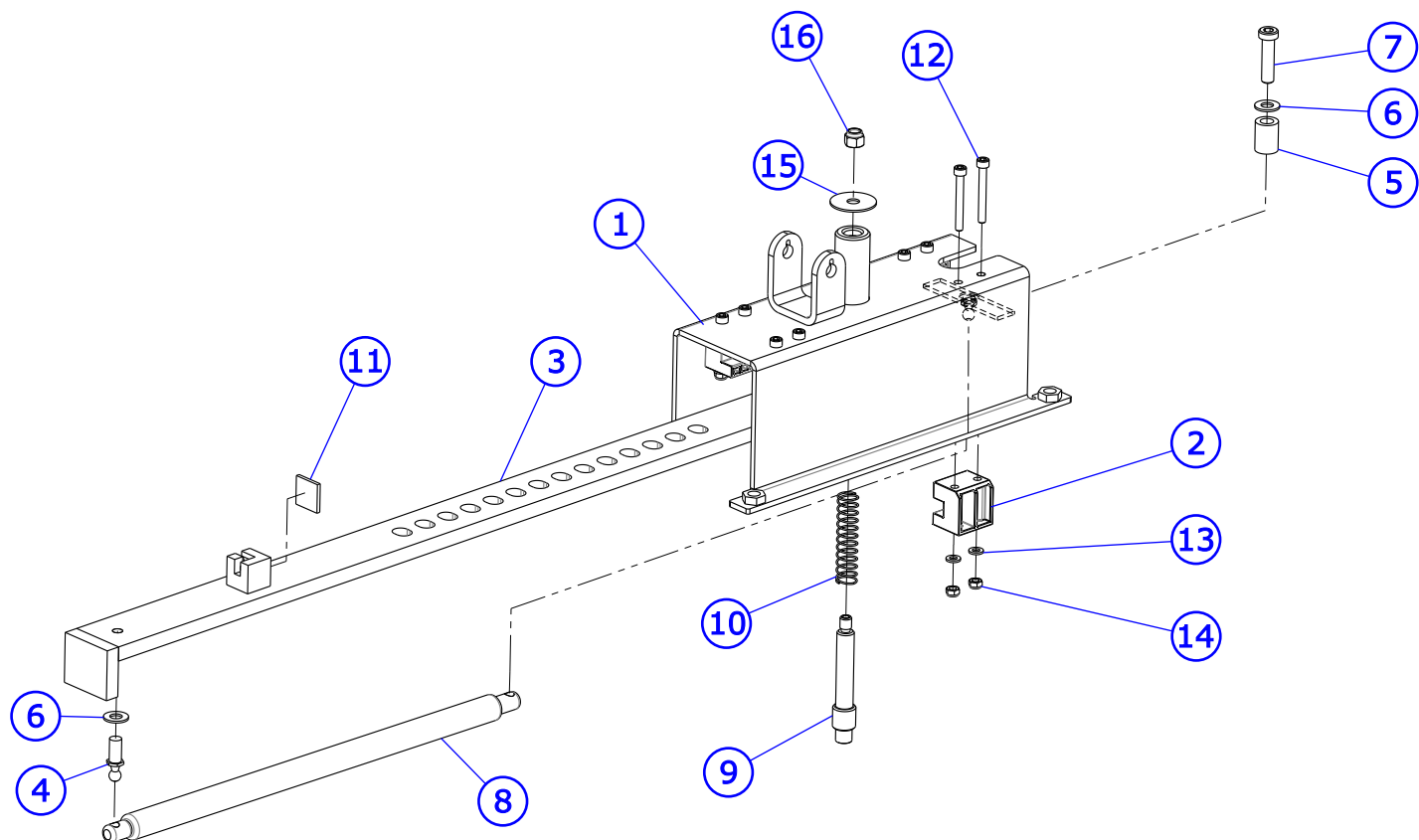
---



ITEM NO.	QTY.	PART NO.	DESCRIPTION
1	1	7511428	WLDMT, FZ/PS-SLP CAM SHAFT CHR
2	1	7511501	SPACER, FZ/PS INTERNAL .403
3	1	7511502	SPACER, FZ/PS INTERNAL 1.845
4	1	6243201	BEARING, 6007 BALL
5	1	7414402	CAM, FZ/PS-SLP RND
6	1	7511128	PLATE, FZ/PS-SLP CAM THRD CHR
7	4	6236601	WASHER, 3/8 SAE SS
8	4	6236204	SCREW, M10 X1.5 35MM
9	1	7342201	PLATE, CABLE END
10	1	9496101	CABLE, SS-SLP-2

# Insignia Series Seated Leg Press

## Seat Adjustment Assembly

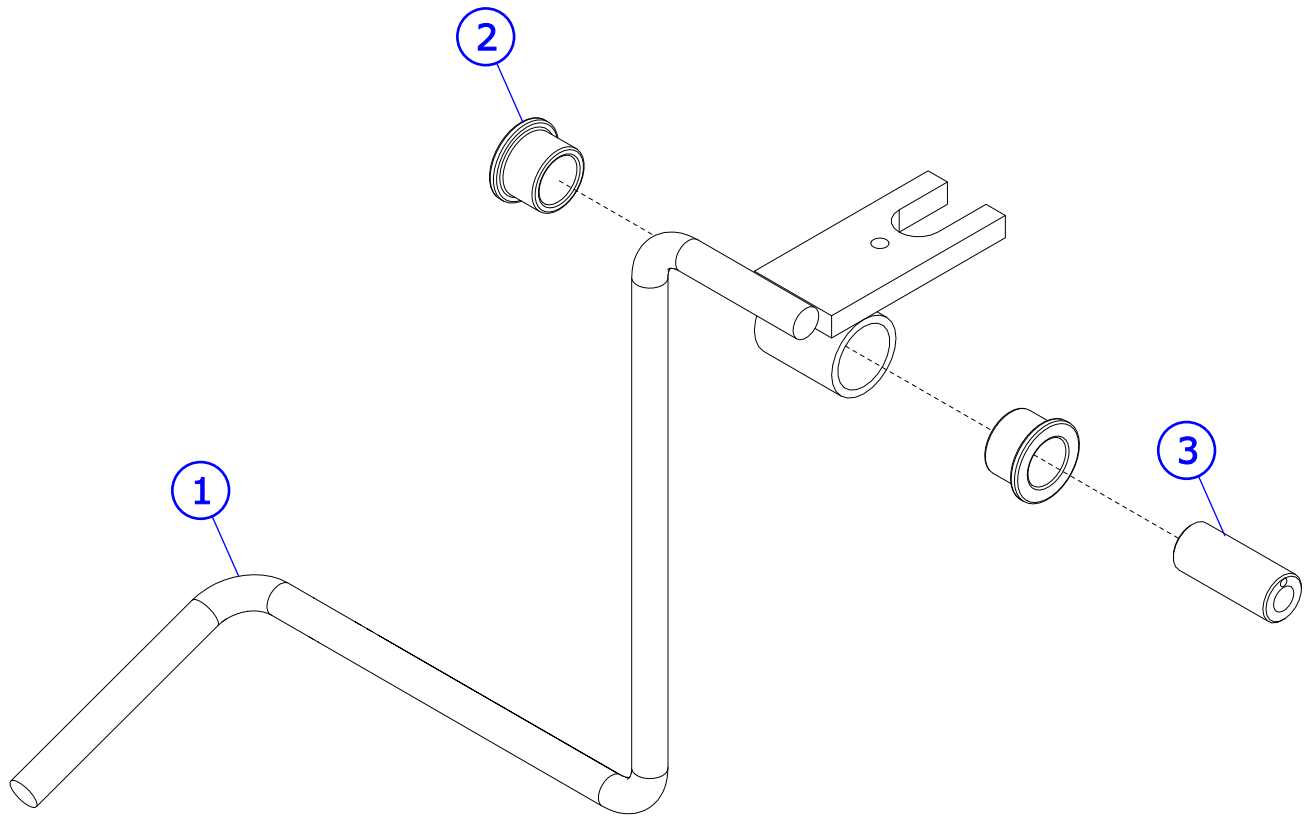


ITEM NO.	QTY.	PART NUMBER	DESCRIPTION
1	1	9064428	WLDMT, FZ/PS-SLP SEAT ADJ CHR
2	4	778501	BLOCK, FZ/PS-SLP DELRIN
3	1	9064301	WLDMT, FZ/PS-SPL ADJ
4	1	7414301	STUD, M10 BALL END M10 X 1.5
5	1	7354301	SPACER, 7/16 ID X .75 OD X 1
6	2	8236601	WASHER, 3/8 SAE SS
7	1	8236205	SCREW, M10 X1.5 40MM
8	1	8272301	SPRING, GAS 135N - 350MM
9	1	7351301	PIN, PULL X 4.375
10	1	7351501	SPRING, PULL PIN LARGE
11	1	6140701	GLIDE 1 X 1
12	8	8241707	SCREW, M6 X1 50MM
13	8	8241801	WASHER, FLAT 6MM SS
14	8	8236802	NUT, M6 HEX NYLOCK SS
15	1	8236701	WASHER, FENDER 3/8" ID X 1.5" OD SS
16	1	8102802	NUT, NYLOCK 3/8-16

# Insignia Series Seated Leg Press

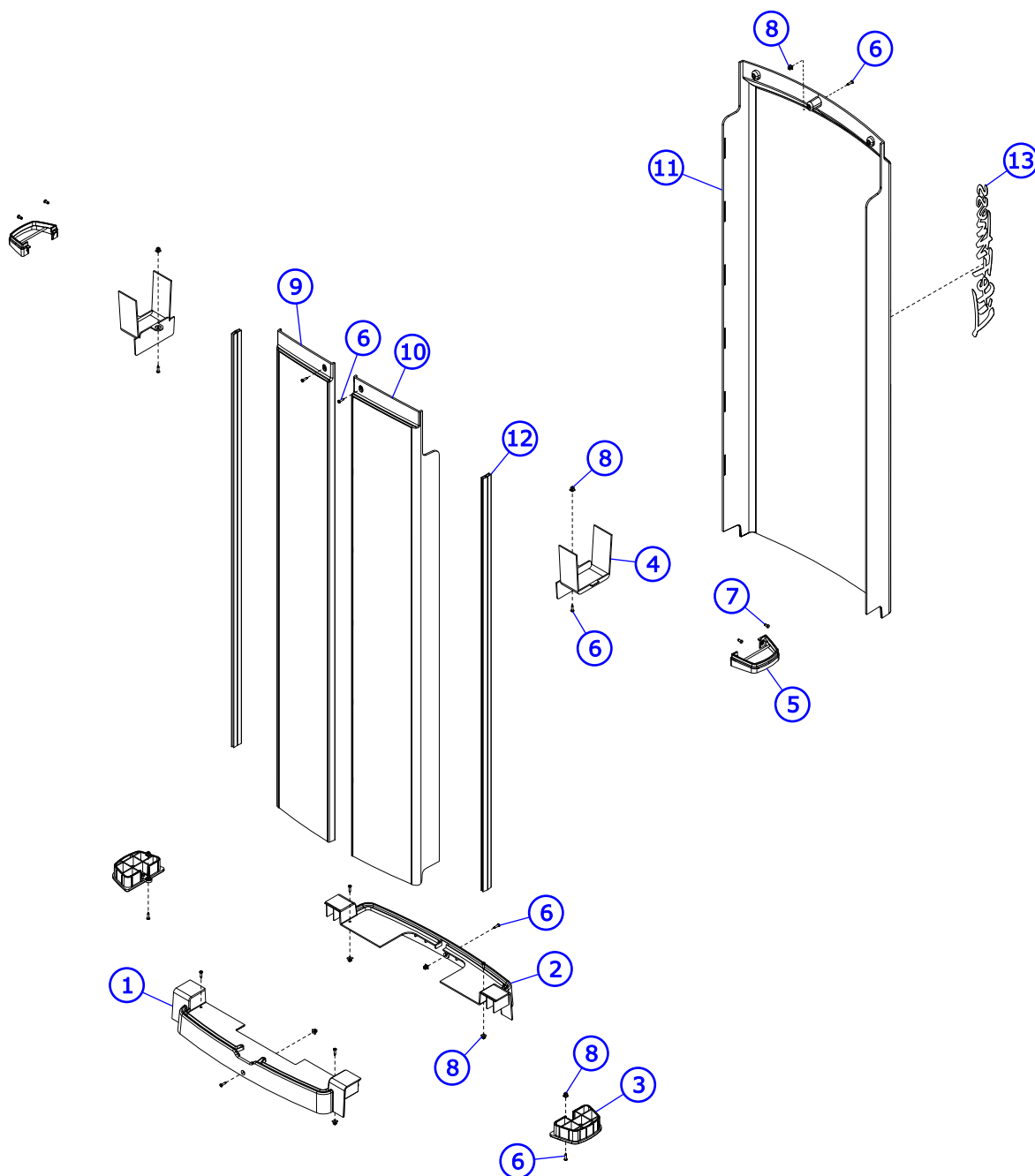
## Seat Handle Assembly

---



ITEM NO.	QTY.	PART NO.	DESCRIPTION
1	1	7412228	WLDMT, SS-SLP LEVER -CHR
2	2	3104901	BEARING, FLG .75 ID X 1.00 OD
3	1	7324802	SHAFT, TAPPED 0.75 DIA X 1.80

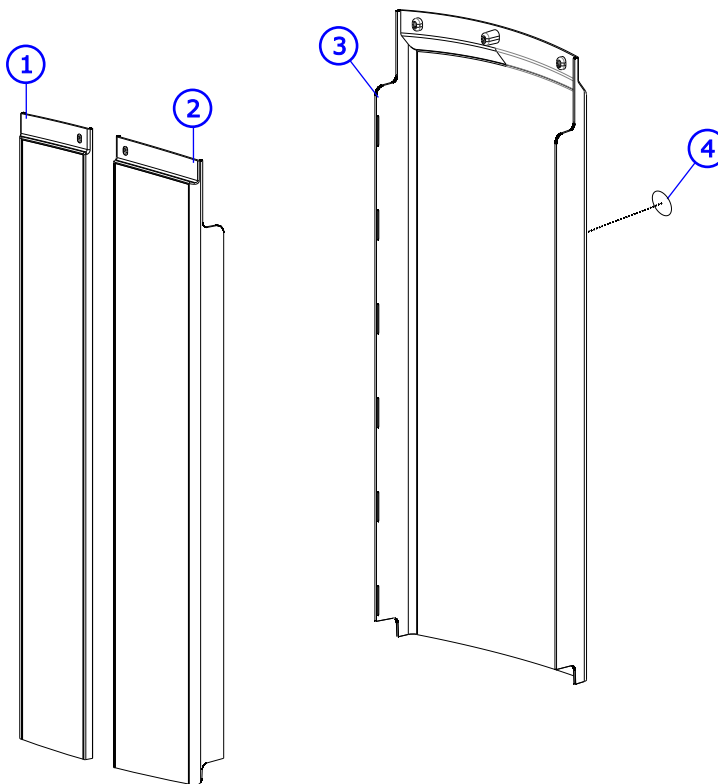
# Insignia Series Seated Leg Press Tower Plastics



ITEM NO.	QTY.	PART NO.	DESCRIPTION
1	1	9410801	COVER, TOWER BOTTOM -FRONT
2	1	9411001	COVER, TOWER BOTTOM -REAR
3	2	9412701	ASSY, TRAP TUBE, CAP, BOTTOM
4	2	9415701	COVER, UPPER CROSS MEMBER
5	2	9415801	GASKET, TRAP TUBE
6	13	3275801	SCREW, 8 X 3/4 DIN PHL PAN AB ST ZB
7	4	0017-00101-1587	RVT 201X0413X.354 T NY NO
8	11	0017-00042-1147	GROMMET: SCREW; 8 OR 10
9	1	9410602	SHROUD, TOWER FRONT, LT - LONG
10	1	9410702	SHROUD, TOWER FRONT, RT - LONG
11	1	9411102	SHROUD, TOWER REAR - LONG
12	2	9414602	SHROUD EXTRUSION - LONG
13	1	9489101	LABEL, LIFE FITNESS



# Insignia Series Seated Leg Press Shroud Wraps

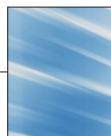


ITEM	QTY.	PART NO.	DESCRIPTION
1	1	9511822	SHROUD, SS, FNT, LT, TLL-BAM
2	1	9511722	SHROUD, SS, FNT, RT, TLL-BAM
3	1	9511922	SHROUD, SS, REAR, TLL-BAM
4	1	AKSS-00245-2401	MEDALLION-ASSY;LF-BUG B



BAMBOO

ITEM	QTY.	PART NO.	DESCRIPTION
1	1	9511823	SHROUD, SS, FNT, LT, TLL-SKY
2	1	9511823	SHROUD, SS, FNT, RT, TLL-SKY
3	1	9511923	SHROUD, SS, REAR, TLL-SKY
4	1	AKSS-00245-2401	MEDALLION-ASSY;LF-BUG B



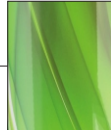
SKY

ITEM	QTY.	PART NO.	DESCRIPTION
1	1	9511824	SHROUD, SS, FNT, LT, TLL-BRZ
2	1	9511724	SHROUD, SS, FNT, RT, TLL-BRZ
3	1	9511924	SHROUD, SS, REAR, TLL-BRZ
4	1	AKSS-00245-2401	MEDALLION-ASSY;LF-BUG B



BRONZE

ITEM	QTY.	PART NO.	DESCRIPTION
1	1	9511825	SHROUD, SS, FNT, LT, TLL-STM
2	1	9511725	SHROUD, SS, FNT, RT, TLL-STM
3	1	9511925	SHROUD, SS, REAR, TLL-STM
4	1	AKSS-00245-2401	MEDALLION-ASSY;LF-BUG B



STEM

ITEM	QTY.	PART NO.	DESCRIPTION
1	1	9511826	SHROUD, SS, FNT, LT, TLL-RSW
2	1	9511726	SHROUD, SS, FNT, RT, TLL-RSW
3	1	9511926	SHROUD, SS, REAR, TLL-RSW
4	1	AKSS-00245-2401	MEDALLION-ASSY;LF-BUG B



ROSEWOOD

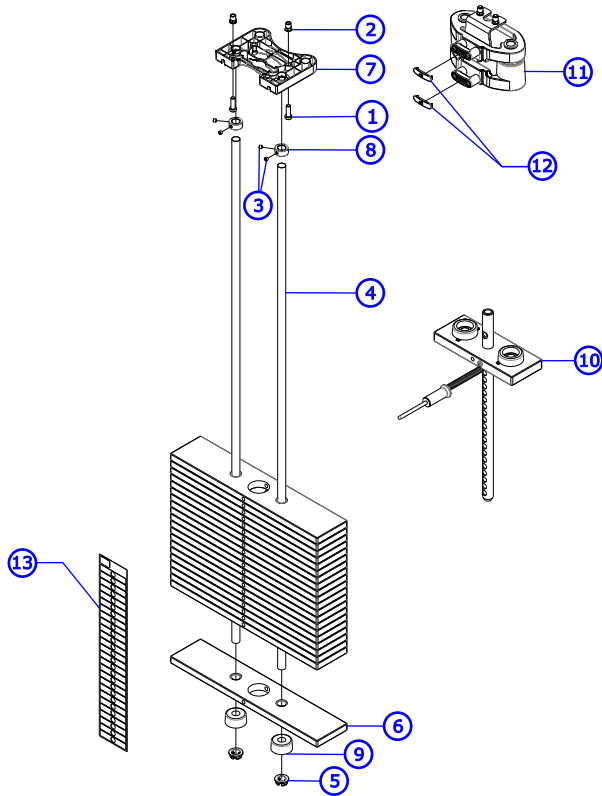
ITEM	QTY.	PART NO.	DESCRIPTION
1	1	9511827	SHROUD, SS, FNT, LT, TLL-SS
2	1	9511727	SHROUD, SS, FNT, RT, TLL-SS
3	1	9511927	SHROUD, SS, REAR, TLL-SS
4	1	AKSS-00245-2401	MEDALLION-ASSY;LF-BUG B



STAINLESS STEEL

# Insignia Series Seated Leg Press Weight Stack Assemblies

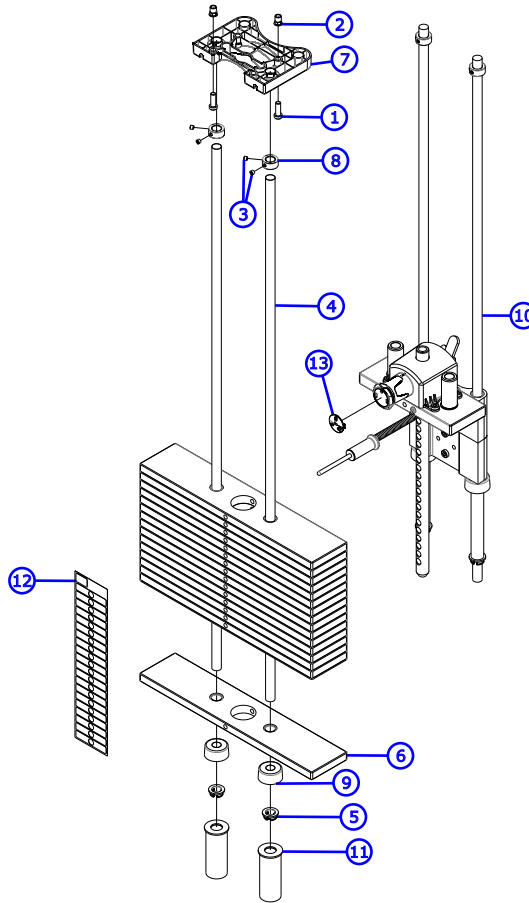
## T - Base



Uses 9496202 Cable (138.5")

ITEM NO.	QTY.	PART NO.	DESCRIPTION
1	2	9236203	SCREW, M10 X1.5 30MM
2	2	9238601	M10X1.5 BLIND THREADED INSERT (HEX)
3	4	9242901	SCREW, SET BO
4	2	7328624	GUIDE ROD, .75 OD SOLID 56.92
5	2	9337901	BUSHING, GUIDE ROD
6	21	9407601	WGT PL, 3/4IN X 4IN, 15 LB
7	1	9412801	RETAINER, GUIDE ROD - TOP
8	2	9462901	SHAFT COLLAR, 3/4 IN ID
9	2	9352101	CUSHION, WEIGHT STACK
10	1	SEE PAGE 15	HEAD PLATE ASSY
11	1	SEE PAGE 15	INCREMENTAL WEIGHTS
12	2	9462303	CAP, DD INC WGT, YEL -LBS
		9462403	CAP, DD INC WGT, YEL -KG
		9475101	LABEL, 3/4 IN WGT STACK, 385 LB
13	1	9475401	LABEL, 3/4 IN WGT STACK, 192.5 KG

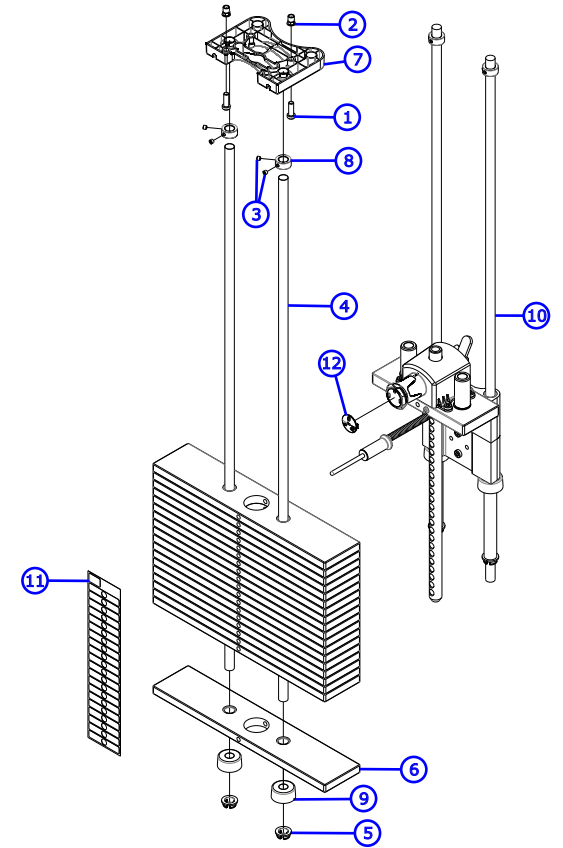
## C - Light



Uses 9496201 Cable (135.5")

ITEM NO.	QTY.	PART NO.	DESCRIPTION
1	2	9236203	SCREW, M10 X1.5 30MM
2	2	9238601	M10X1.5 BLIND THREADED INSERT (HEX)
3	4	9242901	SCREW, SET BO
4	2	7328624	GUIDE ROD, .75 OD SOLID X 56.92
5	2	9337901	BUSHING, GUIDE ROD
6	21	9407601	WGT PL, 3/4IN X 4IN, 15 LB
7	1	9412801	RETAINER, GUIDE ROD - TOP
8	2	9462901	SHAFT COLLAR, 3/4 IN ID
9	2	9352101	CUSHION, WEIGHT STACK
10	1	SEE PAGE 17	HEAD PLATE/RODSASSY
11	2	9495913	WLDMT, WGT STK SPACER X 3.00 -CHR
12	1	9475101	LABEL, 3/4 IN WGT STACK, 385 LB
		9475401	LABEL, 3/4 IN WGT STACK, 192.5 KG
		9431403	CAP, SELECTOR KNOB -LBS
13	1	9450103	CAP, SELECTOR KNOB -KGS

## X - Heavy



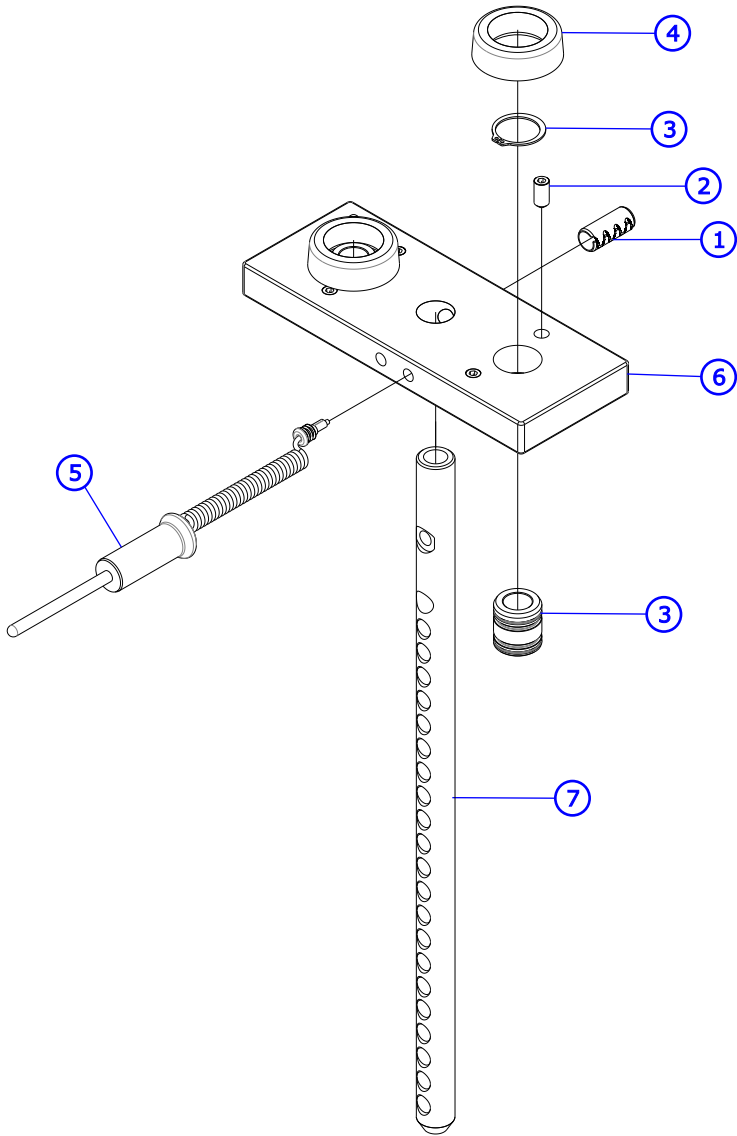
Uses 9496201 Cable (135.5")

ITEM NO.	QTY.	PART NO.	DESCRIPTION
1	2	9236203	SCREW, M10 X1.5 30MM
2	2	9238601	M10X1.5 BLIND THREADED INSERT (HEX)
3	4	9242901	SCREW, SET BO
4	2	7328624	GUIDE ROD, .75 OD SOLID X 56.92
5	2	9337901	BUSHING, GUIDE ROD
6	25	9407601	WGT PL, 3/4IN X 4IN, 15 LB
7	1	9412801	RETAINER, GUIDE ROD - TOP
8	2	9462901	SHAFT COLLAR, 3/4 IN ID
9	2	9352101	CUSHION, WEIGHT STACK
10	1	SEE PAGE 17	HEAD PLATE/RODSASSY
11	1	9475101	LABEL, 3/4 IN WGT STACK, 385 LB
		9475401	LABEL, 3/4 IN WGT STACK, 192.5 KG
		9431403	CAP, SELECTOR KNOB -LBS
12	1	9450103	CAP, SELECTOR KNOB -KGS

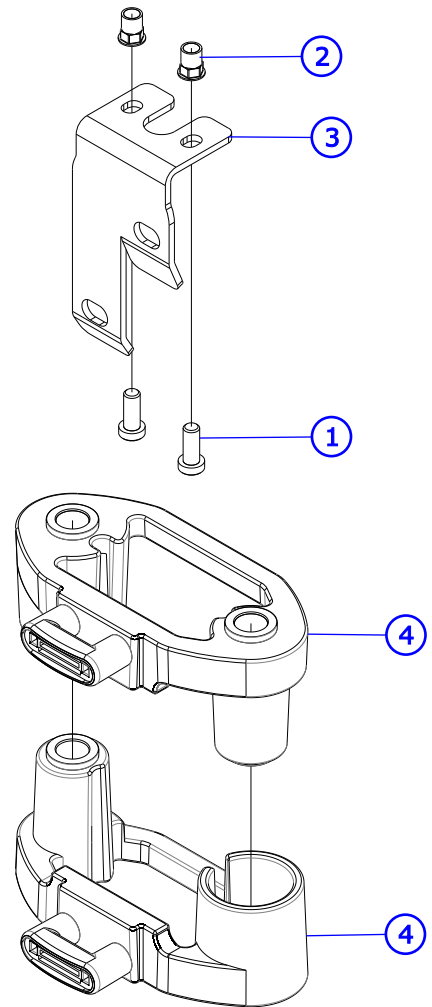
# Insignia Series Seated Leg Press

## T Trim Head Plate and Drop Down Increment Weights

### T Trim



ITEM NO.	QTY.	PART NO.	DESCRIPTION
1	1	8236001	BUSHING, SPRING PIN
2	4	8240501	M10 X 1.5 HXS NO CUP ST BO
3	2	7538001	BUSHING, HEADPLATE
4	2	7767602	BUMPER, INCREMENT WT -BLK
5	1	8427003	ASSY, WGT STK SELECTOR PIN -YELLOW
6	1	8427401	HEADPLATE, WT. STACK, 10LB
7	1	9434203	BAYONET, 21 PLATE

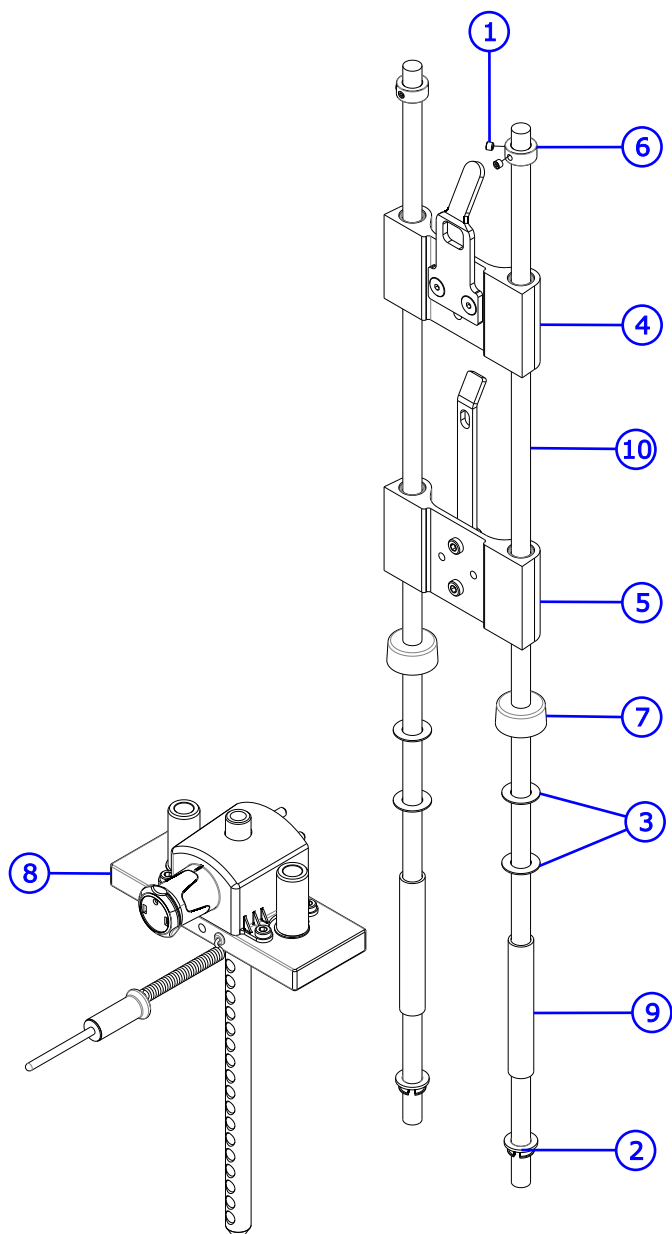


ITEM NO.	QTY.	PART NO.	DESCRIPTION
1	2	8236202	SCREW, M10 X1.5 25MM
2	2	8238601	M10X1.5 BLIND THREADED INSERT (HEX)
3	1	9430801	BRKT, INC WGT STRIKER
4	2	8455403	ASSY, DD INC WGT -YEL

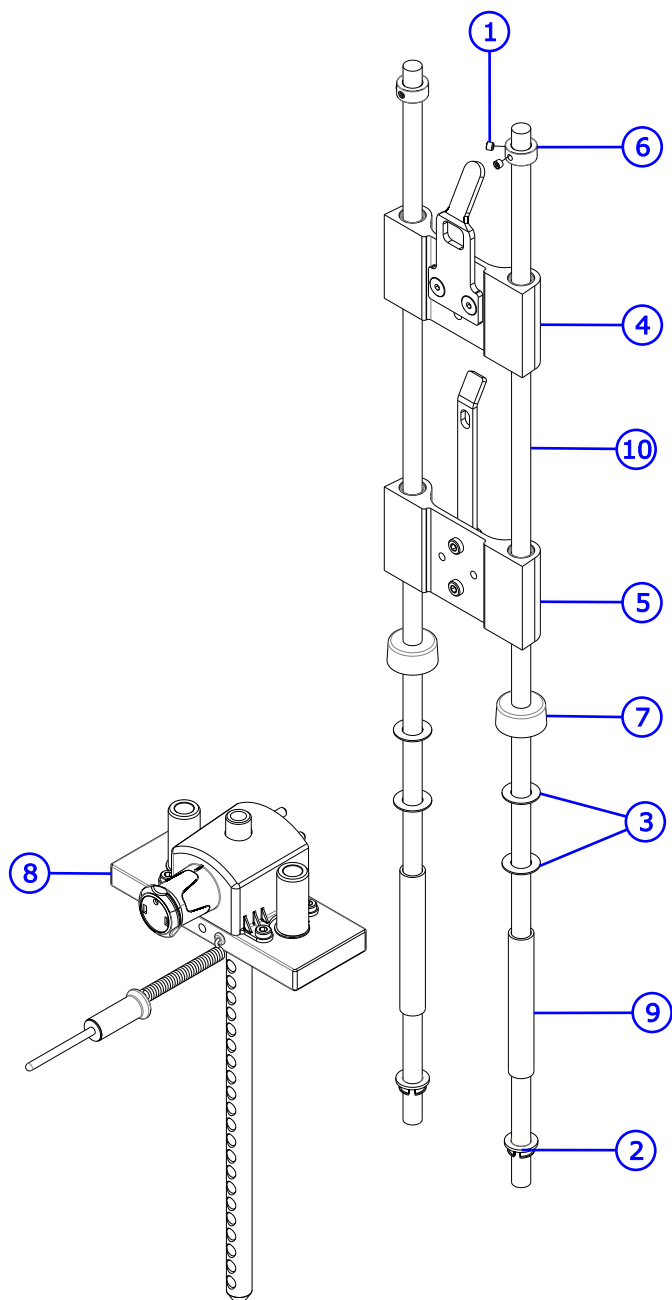
# Insignia Series Seated Leg Press

## C and X Trim Stack Components

### C Trim



### X Trim

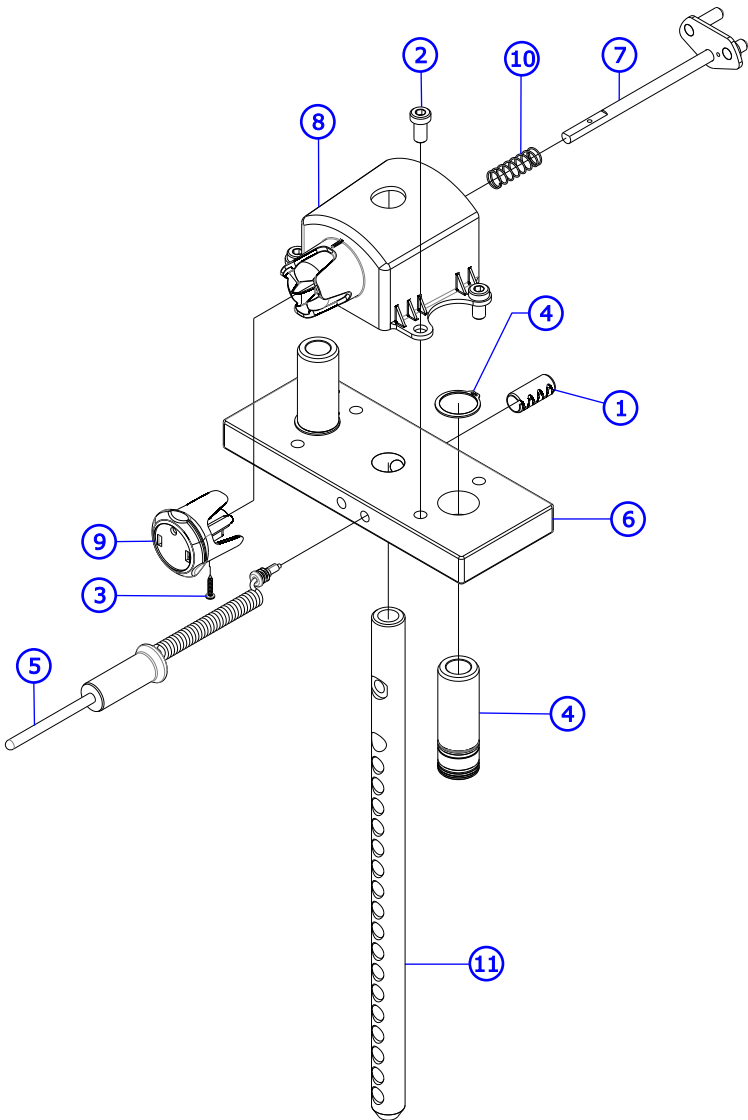


ITEM NO.	QTY.	PART NO.	DESCRIPTION
1	4	3242901	SCREW, SET BO
2	2	7337901	BUSHING, GUIDE ROD
3	4	7351001	SPACER, INC WT STACK
4	1	SEE PAGE 18	ASSY, INC WGT -5LB
5	1	SEE PAGE 19	ASSY, INC WGT -10LB
6	2	9462901	SHAFT COLLAR, 3/4 IN ID
7	2	7352101	CUSHION, WEIGHT STACK
8	1	SEE PAGE 17	ASSY, SS, HEAD PLATE, DIAL, STD -21
9	2	7328703	SPACER, INC WT STACK 25 PLATE
10	2	7328624	GUIDE ROD, .75 OD SOLID X 56.92

ITEM NO.	QTY.	PART NO.	DESCRIPTION
1	4	3242901	SCREW, SET BO
2	2	7337901	BUSHING, GUIDE ROD
3	4	7351001	SPACER, INC WT STACK
4	1	SEE PAGE 18	ASSY, INC WGT -5LB
5	1	SEE PAGE 19	ASSY, INC WGT -10LB
6	2	9462901	SHAFT COLLAR, 3/4 IN ID
7	2	7352101	CUSHION, WEIGHT STACK
8	1	SEE PAGE 17	ASSY, SS, HEAD PLATE, HVY -21
9	2	7328703	SPACER, INC WT STACK 25 PLATE
10	2	7328624	GUIDE ROD, .75 OD SOLID X 56.92

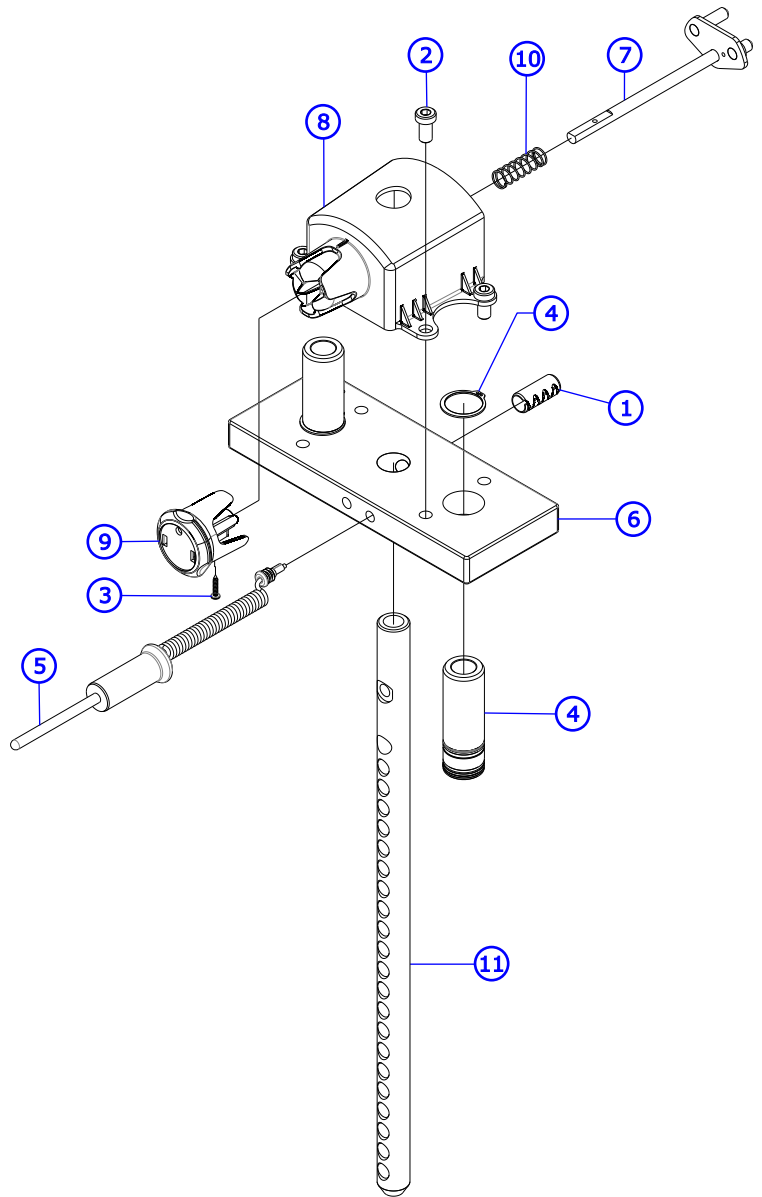
# Insignia Series Seated Leg Press C and X Trim Head Plate Assemblies

## C Trim



ITEM NO.	QTY.	PART NO.	DESCRIPTION
1	1	9236001	BUSHING, SPRING PIN
2	4	9236201	SCREW, M10 X1.5 20MM
3	1	9275601	SCREW, 6 X 3/4 DIN PHL PAN AB ST ZB
4	2	9296001	BUSHING, HEADPLATE, LONG
5	1	9427003	ASSY, WGT STK SELECTOR PIN -YELLOW
6	1	9427401	HEADPLATE, WT. STACK, 10LB
7	1	9427501	WLDMT, INC WGT PIN
8	1	9430501	HSNG, INC WEIGHT
9	1	9443201	KNOB, INC WEIGHT
10	1	9443301	SPRING, INC WGT PIN
11	1	9434203	BAYONET, 21 PLATE

## X Trim

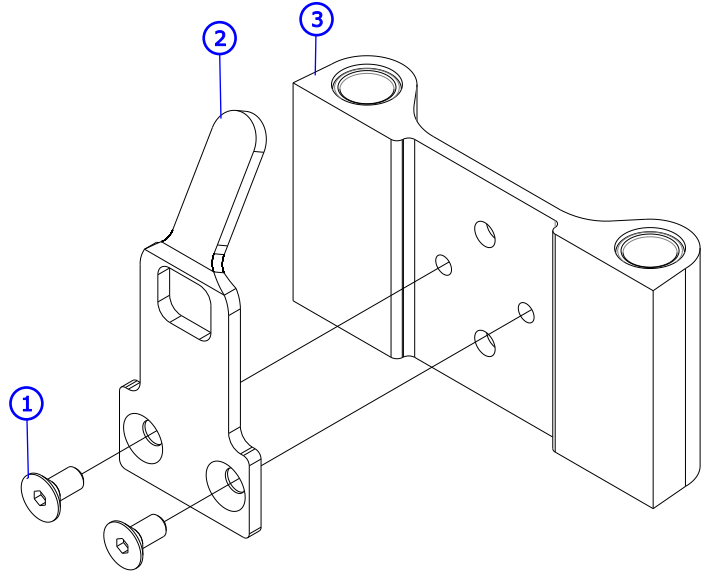


ITEM NO.	QTY.	PART NO.	DESCRIPTION
1	1	9236001	BUSHING, SPRING PIN
2	4	9236201	SCREW, M10 X1.5 20MM
3	1	9275601	SCREW, 6 X 3/4 DIN PHL PAN AB ST ZB
4	2	9296001	BUSHING, HEADPLATE, LONG
5	1	9427003	ASSY, WGT STK SELECTOR PIN -YELLOW
6	1	9427401	HEADPLATE, WT. STACK, 10LB
7	1	9427501	WLDMT, INC WGT PIN
8	1	9430501	HSNG, INC WEIGHT
9	1	9443201	KNOB, INC WEIGHT
10	1	9443301	SPRING, INC WGT PIN
11	1	9426003	BAYONET, 25 PLATE

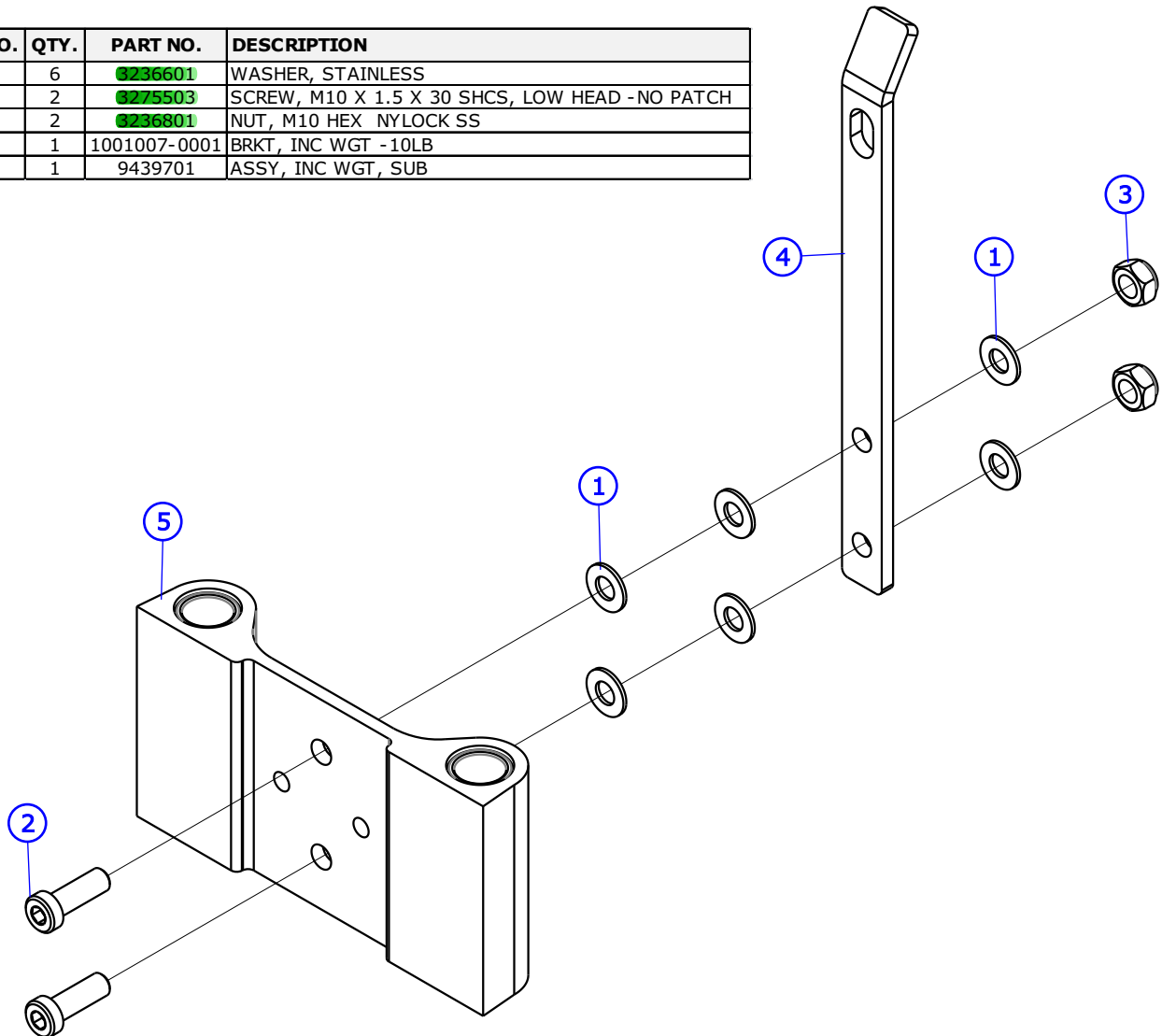
# Insignia Series Seated Leg Press

## C and X Trim Incremental Weights

ITEM NO.	QTY.	PART NO.	DESCRIPTION
1	2	3238301	M10x1.5x20mm
2	1	9428201	BRKT, INC WGT -5 LB
3	1	9439701	ASSY, INC WGT, SUB

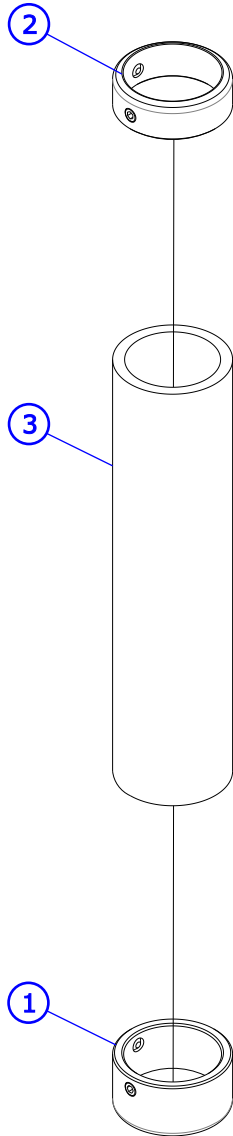


ITEM NO.	QTY.	PART NO.	DESCRIPTION
1	6	3236601	WASHER, STAINLESS
2	2	3275503	SCREW, M10 X 1.5 X 30 SHCS, LOW HEAD -NO PATCH
3	2	3236801	NUT, M10 HEX NYLOCK SS
4	1	1001007-0001	BRKT, INC WGT -10LB
5	1	9439701	ASSY, INC WGT, SUB



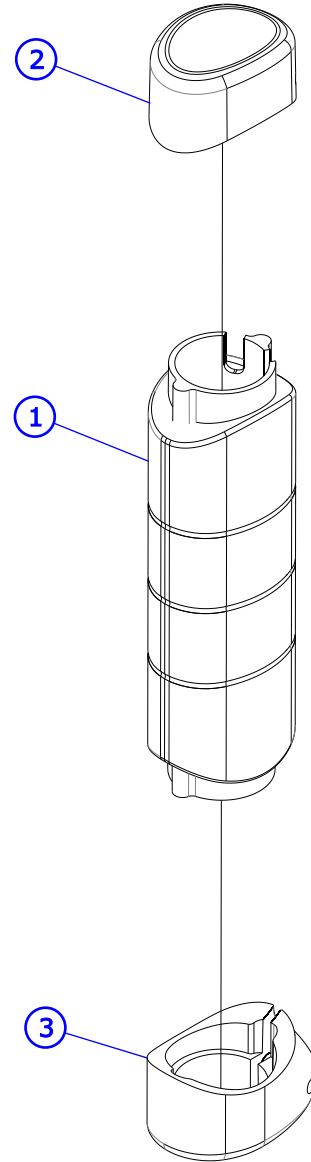
# Insignia Series Seated Leg Press Grip Assemblies

## S Trim



ITEM NO.	QTY.	PART NO.	DESCRIPTION
1	1	7662901	CAP, GRIP 1.25 OD
2	1	7662801	RING, GRIP
3	1	8235806	GRIP, 1.25 OD X .125 WALL, OPEN END

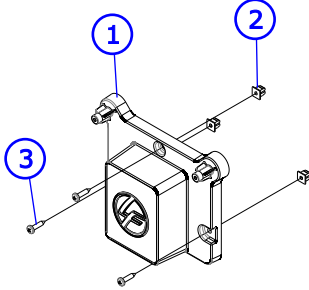
## L Trim



ITEM NO.	QTY.	PART NO.	DESCRIPTION
1	1	9453001	GRIP, ERGO, OVERMOLD
2	1	9498401	ASSY, CAP, GRIP
3	1	9498501	ASSY, COLLAR, ERGO GRIP

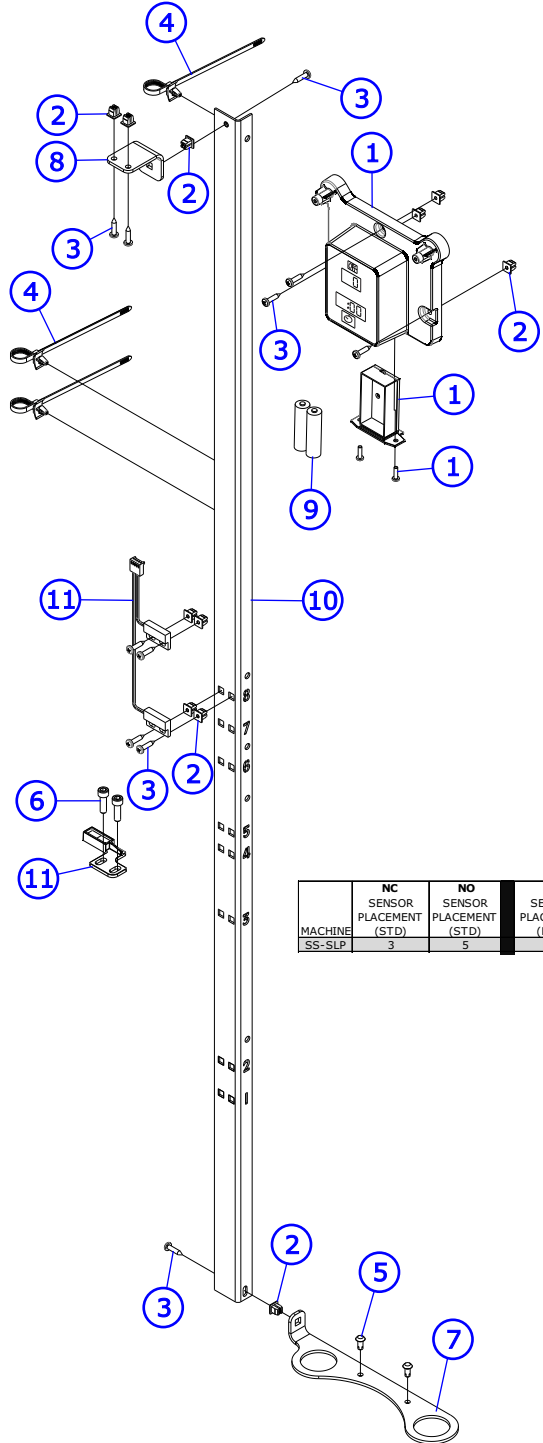
# Insignia Series Seated Leg Press Sensor Assemblies

## S Trim



ITEM NO.	QTY.	PART NO.	DESCRIPTION
1	1	9437401	SS - ASSY, DISPLAY, BASE
2	3	00042-1147	GROMMET: SCREW; 8 OR 10
3	3	3275801	SCREW, 8 X 3/4 DIN PHL PAN AB ST ZB

## L Trim



MACHINE	NC SENSOR PLACEMENT (STD)	NO SENSOR PLACEMENT (STD)	NC SENSOR PLACEMENT (HVY)	NO SENSOR PLACEMENT (HVY)
SS-SLP	3	5	4	6

ITEM NO.	QTY.	PART NO.	DESCRIPTION
1	1	9417701	ASSY, DISPLAY, COUNTER
2	11	00042-1147	GROMMET: SCREW; 8 OR 10
3	11	3275801	SCREW, 8 X 3/4 DIN PHL PAN AB ST ZB
4	3	3276101	GROMMET, CABLE TIE
5	2	0017-00101-1587	RVT 201X0413X.354 T NY NO
6	2	3241701	SCREW, M6 X1 20MM
7	1	9432728	BRKT, SS, SWITCH MNT -CHGR
8	1	9434828	BRKT, SS, SWITCH MNT
9	2	-	BATTERY, AA
10	1	9459328	BRKT, SS, SWITCH MNT, TLL -CHR
11	1	00085-0001	ASSY, SS, PROX SWITCH/MAGNET